

BANSHEE

Ex Isolator S3

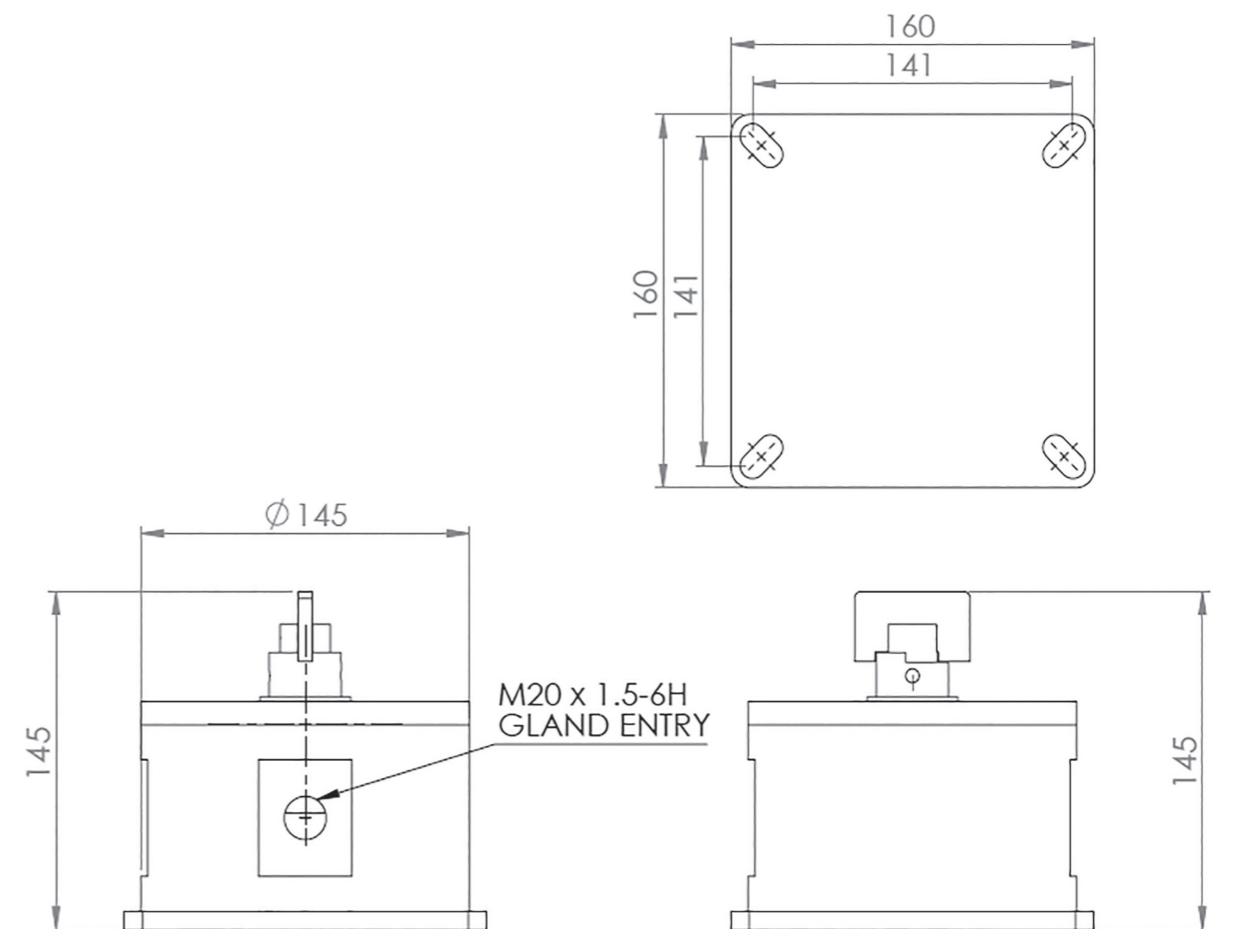


The isolator switch is suitable for use in fiery mines, petrochemical plants, or areas where an electric circuit is to be de-energised for service or maintenance. The unit consists of a mild steel, electroplated, housing with M20 gland entries.

BANSHEE EX ISOLATOR S3

SPECIFICATIONS

VOLTAGE	220VAC 415VAC
CLASSIFICATION	Ex d I/IB + H2 150°C Mb Gb
CERTIFICATION	MASC MS/18-2265X
ZONES	1 and 2
GAS GROUPS	I, IIA, IIB,
IGNITION GROUP	T4 - 135°C
IP RATING	IP 65
WEIGHT	6Kg
PACKING DIMENSIONS	270x200x230mm



All dimensions are in mm

BANSHEE Part of the KAMA Group - www.kama.co.za