

# IS-CP4-BG Break Glass Manual Call Point

The IS-CP4-BG break glass manual call points are designed for the harshest of environments and approved for Zones 0, 1, 2, 21 & 22 requiring hazardous area intrinsically safe equipment for the control of fire and gas alarm systems. SIL2 compliant to IEC61508 (2010).

The IS-CP4 range features enclosures manufactured from corrosion proof, marine grade, copper free LM6 (A413) aluminium which is chromated and powder coated. Available with and without monitoring resistors all versions are certified to IECEx and ATEX standards with additional INMETRO and Ex EAC approvals. The break glass element features a safety membrane and is designed to snap ensuring the no glass fragments are released during activation. A hammer is available as an accessory if required by local code.

## Features

- Alternative housing colours are available to meet specific requirements
- Stainless Steel lift flap
- Metalised Polyester "Duty" label
- Series and/or End of Line resistors
- Break glass hammer accessory available

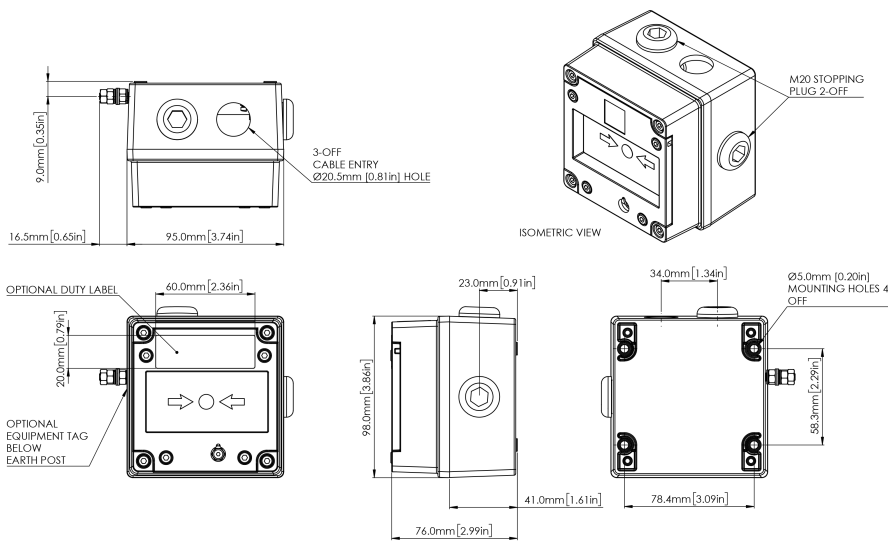
## Approvals

- ATEX certificate: SIRA 09ATEX2287X,
- IECEx certificate: IECEx SIR 09.0122X,
- GOST-R certificate: POCC GB.JB05.B03365
- SIL 2 compliant to IEC 61508 (2010)

## Coding

- ISCP4A-BG  
II 1G Ex ia IIC T6 Ga Ta = -40°C to +55°C  
II 2D Ex tb IIIC T60°v C Db IP66  
Input:  $U_i = 30V$ ,  $I_i = 500mA$ ,  $P_i = 1.1W$ ,  $C_i = 0$ ,  $L_i = 0$   
Voltage: 250V ac Max.5.0A Max.  
Voltage: 50V dc Max.1.0A Max.
- ISCP4B-BG  
II 1G Ex ia IIC T4 Ga Ta = -40°C to +55°  
 $U_i = 30V$ ,  $I_i = 500mA$ ,  $P_i = 1.1W$ ,  $C_i = 0$ ,  $L_i = 0$





## Specification

<b>IS-CP4A-BG:</b>	A version
Coding:	II 1G Ex ia IIC T6 Ga II 2D Ex tb IIIC T60°C Db IP66
<b>IS-CP4B-BG:</b>	B version
Coding:	II 1G Ex ia IIC T4 Ga IP66
Ambient:	Ta = -40°C to +55°C [-40°F to +131°F]
Ingress protection:	IP66
Enclosure material:	Marine grade copper free LM6 Aluminium
Enclosure finish:	Chromated & powder coated finish: anti-corrosion.
Colour:	RAL3000 Red (others available on request)
Cable entries:	2 x M20 clearance top and 1 x M20 clearance side. Back box can be rotated to give 2 x bottom and 1 x side entries.
Stopping plugs:	2 x nylon plugs as standard Brass and stainless steel plugs optional
Relative Humidity:	R.H. 95% @ 20°C
Terminals:	6 x 4.0mm <sup>2</sup> cables
Weight:	0.8Kg

## Part Codes

Option:	Code :	Description:
Type:	ISCP4A-BG ISCP4B-BG	Type A - no end of line devices Type B - choice of end of line devices
Switch Type: [s]	S	SPCO/SPDT
Terminals: [t]	S	6 x 4mm <sup>2</sup> terminals
Lift flap: [l]	L N	Lift flap No lift flap
Cable Entry Type: [e]	A B C D E F G	3 x M20x1.5mm 2 x 1/2" NPT - adaptors 2 x 3/4" NPT - adaptors 2 x M25x1.5mm - adaptors 1 x 1/2" NPT - adaptor 1 x 3/4" NPT - adaptor 1 x M25x1.5mm - adaptor
Stopping plug material: [m]	B N P S	Brass Nylon Nickel Plated Brass Stainless Steel
Duty label / Equipment tag: [d]:	1 2 3 4 5 6 7	No Duty label, no Equip. tag Duty label Stainless Steel Duty label St/St + Equip. tag Duty label Metalised Polyester Duty label M. Poly. + Equip. tag Equip. tag only Special label requirement
Product version: [v]	A1	IECEX & ATEX approved
Enclosure colour: [x]	R, B, N, Y, V, S, K, M, Z	Red, Blue, Green, Yellow Red/White, Yellow/Black, Black, Magenta, Red/Black
E.O.L.Module: [Exxx] optional	ExxxR	Resistor value in Ohms e.g. E470R = 470 Ohm (only required for ISCP4B type)
Series Module: [Sxxx] optional	SxxxR	Resistor value in Ohms e.g. E1K5R = 1.5K Ohm (only required for ISCP4B type)
<b>Spares:</b>	SP70-0001 SP70-0040	Replacement glass elements (Pack of 50) ISCP4-BG Test Key
<b>Accessories:</b>	SP65-0001-A2 SP65-0001-A4 SP65-0002-A2 SP65-0002-A4	Pole Mount Bracket Kit 2" St/St A2 (304) Pole Mount Bracket Kit 2" St/St A4 (316) Sunshade - St/St A2 (304) Sunshade - St/St A4 (316)