



The air horn is precision machined from an aluminium casting designed to withstand the rigours normally encountered in industrial applications. The Air horns have been specially designed to meet the warning requirements for the South African transport and marine industries. A Low frequency air operated device with excellent sound penetration

Typical applications:

Commonly used as a high-power hooter/horn in the railway industry, on large shipping vessels, in open cast mines and large transport vehicles.

ELECTRONIC SOUNDERS, BELLS, HORNES & HOOTERS



Sirencos Air Horn 370Hz

SPECIFICATIONS

SOUND OUTPUT	133dB(A) at 1m (4bar)
SOUND FREQUENCY	370Hz
APP. RANGE	3000m in ideal condition (Please refer to dB chart)
MOTOR	Air driven diaphragm
AIR PRESSURE	7bar or between 350 to 1000kpa
AIRFLOW	At 4 bar – 3.2 m ³ /min (53 liter/second) At 9.5 bar – 5.7 m ³ /min (95 liter/second) (Please note: Test conditions were at 20°C, and dry air supply)
IP RATING	IP 55 (IP 65 or IP 56 available on request)
WEIGHT	2.8kg
PACKING DIMENSIONS	270mm x 260mm x 220mm

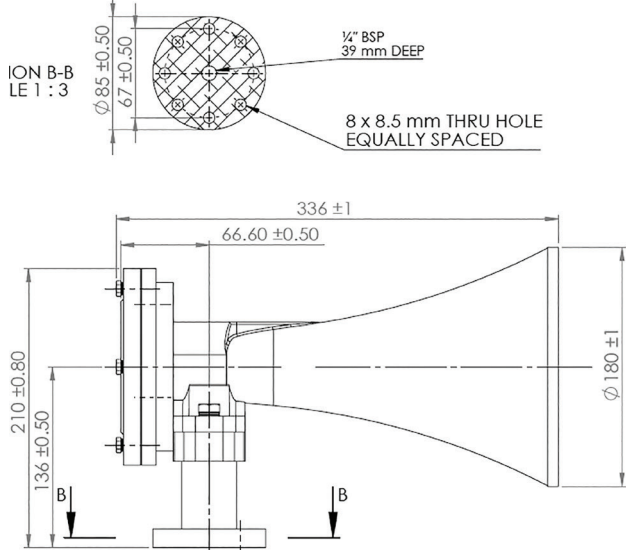
NOTES |

PRODUCT CODES

Code	SSAH370																		
Detail	370Hz																		

TECHNICAL DRAWINGS

All dimensions in mm



OPTIONAL EXTRAS