

Sirenco Beacon S 80

BEACONS & LIGHTS **CE**



Modern robust LED beacon with 3 stages selections, this handy beacon allow the user to select between flashing, rotating or static by the press of an on-board button. The new SMD high bright LED design with solid state electronics allow for excellent visibility in the day and night. The Sirenco Beacon is available in low and high voltage



SPECIFICATIONS

VOLTAGE	12-24Vdc 90-260Vac
COLOURS	Red; Amber; Blue; Green (Other colours available on request)
LIGHT SOURCE	9W LED - 40 SMD 360°
FUNCTIONS	Rotating at 2Hz (120/Per min) Flashing at 2Hz (120/Per min) Static for steady application
PEAK INTENSITY	70 Lux Rotating 100 Lux Flashing 70 Lux Static
CURRENT CONSUMPTION	12Vdc - 0.95A max 24Vdc - 0.45A max 110/220Vac/dc 0.07A max
IP RATING	IP 65
WEIGHT	1.1Kg
PACKING DIMENSIONS	200mm x 140mm x 140mm

NOTES | Available in a battery operated unit

PRODUCT CODES

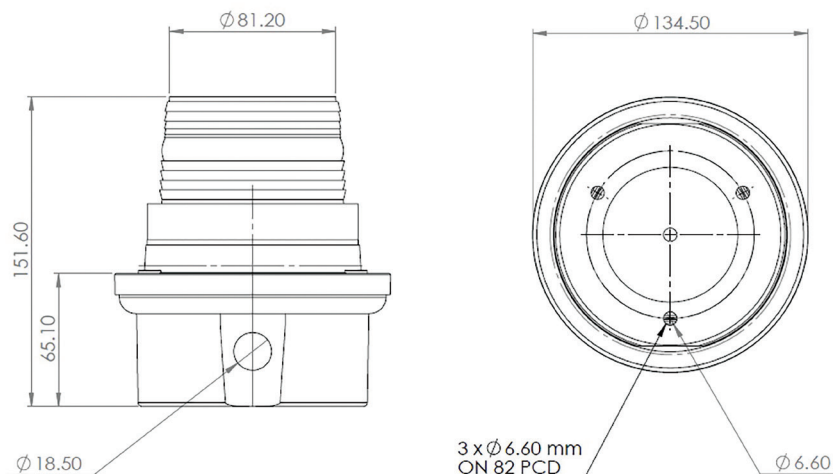
Code SBL5(x*)012 SBL5(x*)220

Detail 12-24VDC 90-260VAC

* x = A for Amber / B for Blue / G for Green / R for Red

TECHNICAL DRAWINGS

All dimensions in mm



OPTIONAL EXTRAS

Available in a battery operated unit

