



This cast aluminium siren is a simple, maintenance free siren with a sealed gearbox with adjustable volume control.

Typical applications:
Commonly used as a backup alarm when there is a power failure or applications in remote areas where no electricity is available. Also used on blasting sites

HAND OPERATED SIRENS   

Sirenco H200

SPECIFICATIONS

OPERATING METHOD	Hand operated
SOUND OUTPUT	120dB(A) at 1m
SOUND FREQUENCY	500Hz
APP. RANGE	2000m in ideal condition (Please refer to dB chart)
WEIGHT	12kg
PACKING DIMENSIONS	560mm x 360mm x 450mm

NOTES | Wall mounting conversion is available

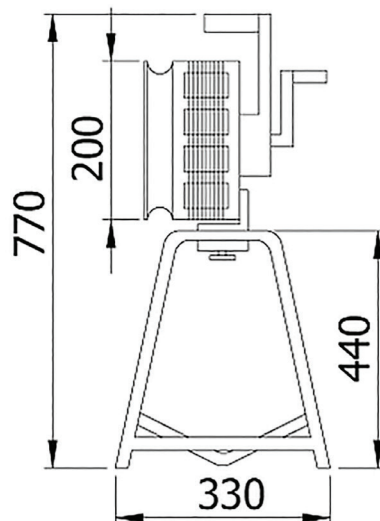
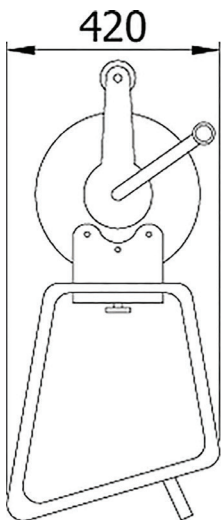
PRODUCT CODES

Code SSH200C

Detail H200

TECHNICAL DRAWINGS

All dimensions in mm



OPTIONAL EXTRAS