

Sirencos Loco Light

BEACONS & LIGHTS CE

The Sirencos Loco Light, is specifically designed for use on underground and surface mining machines in non-hazardous environments. This Mining vehicle light incorporates the latest LED with a high-bright white light for excellent driver visibility and also incorporate Red LED's indicating the rear of the vehicle. An additional function is a flashing Amber LED to act as a hazard indicator.



SPECIFICATIONS

VOLTAGE	10VDC - 28VDC
COLOURS	Clear, Red; Amber; Green(Only on request)
LIGHT SOURCE	3 High-bright White LED's, 3 Red LED's, 1 Flashing Amber or Static Green. 12° Beam Angle at 20m
LIGHT INTENSITY	11 Watt (100 Lux @ 10m, 25 Lux @ 20 m)
CURRENT CONSUMPTION	1A Max
IP RATING	IP 65
WEIGHT	900g
PACKING DIMENSIONS	120mm x 120mm x 130mm

NOTES |

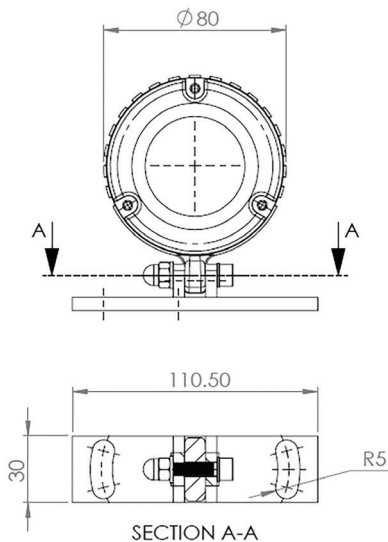
PRODUCT CODES

Code SLLL024

Detail Loco Light

TECHNICAL DRAWINGS

All dimensions in mm



OPTIONAL EXTRAS