



This innovative and durable range of solenoid bells offers a high sound output and proven reliability. The unit features the solenoid with plunger hitting the steel powder coated gong, offering enhanced acoustics and greater sound output

ELECTRONIC SOUNDERS, BELLS, HORNS & HOOTERS



Sirenco Solenoid Bell

SPECIFICATIONS

VOLTAGE	24VDC 24VAC 110VAC 220VAC
DUTY CYCLE	Continuous Rated
SOUND OUTPUT	106dB(A) at 1m
SOUND FREQUENCY	1100Hz
APP. RANGE	600m in ideal condition (Please refer to dB chart)
CURRENT CONSUMPTION	25mA
IP RATING	IP 44
WEIGHT	420g
PACKING DIMENSIONS	240mm x 150mm x 150mm

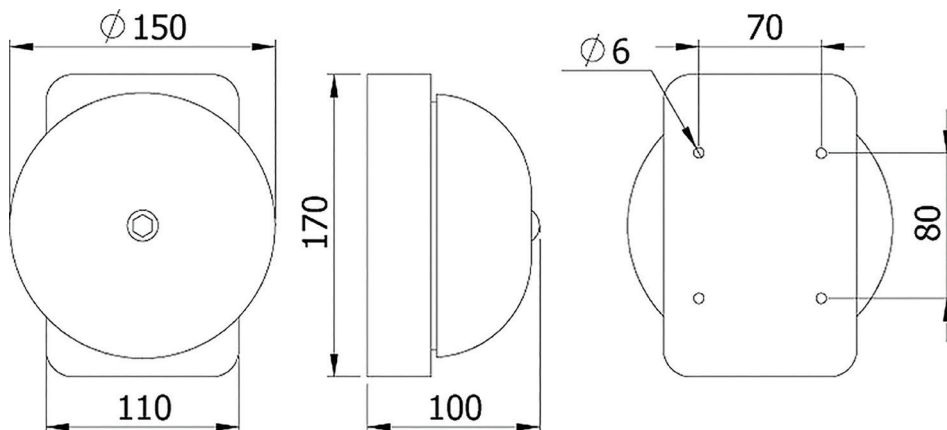
NOTES | Also available in a single stroke model (110Vac only)

PRODUCT CODES

Code	SB63012	SB63024	SB63110	SB63220		SB64111	Single Stroke Yellow			
Detail	24Vdc	24Vac	110Vac	220Vac		110Vdc				

TECHNICAL DRAWINGS

All dimensions in mm



OPTIONAL EXTRAS

Sirenco Solenoid bell Single Stroke



(Only available in 110Vac)