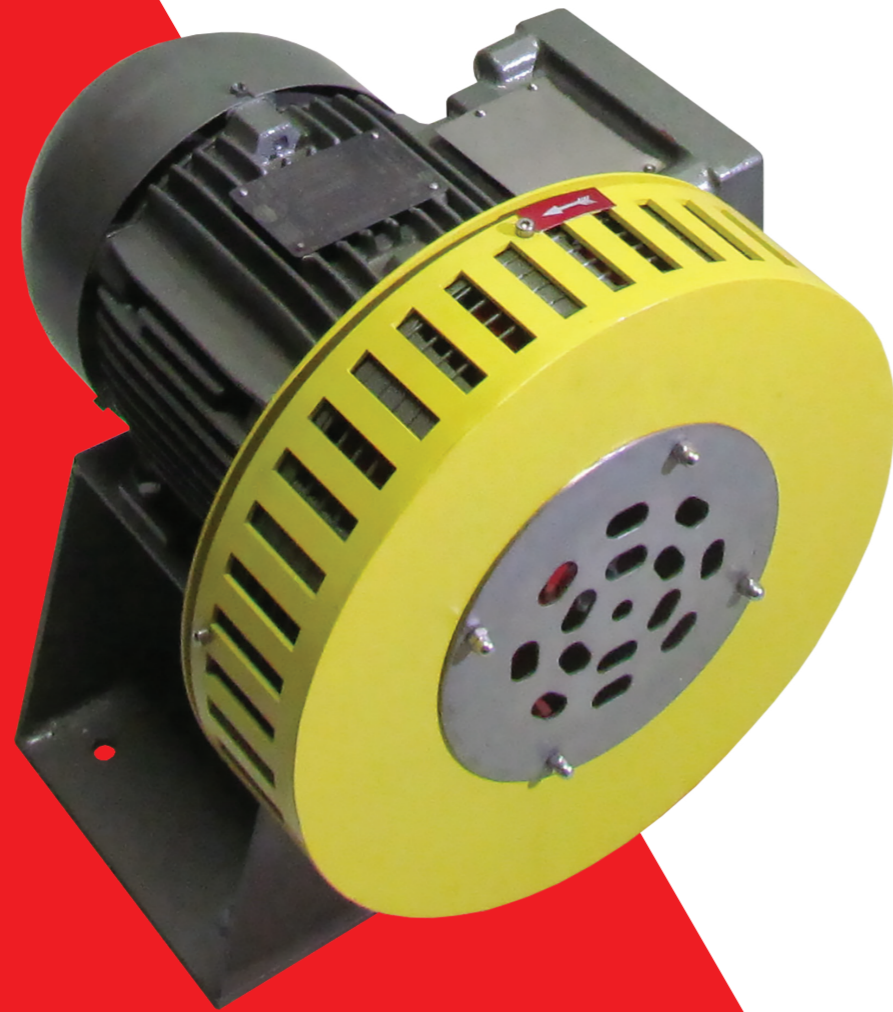


BANSHEE

Ex 3LF Siren S1

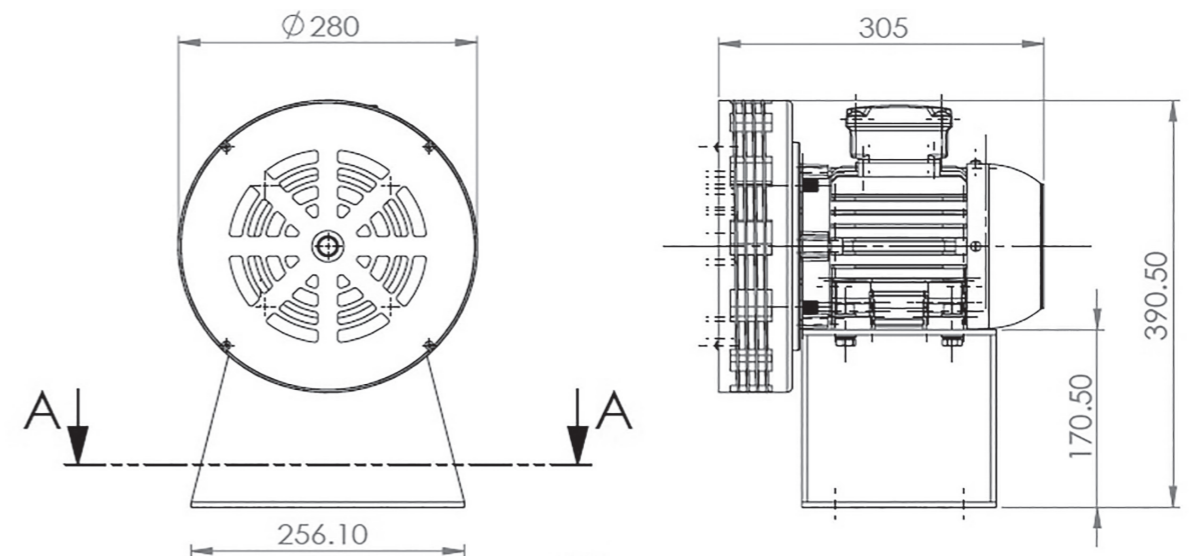


This motorised siren is suitable for use in fiery mines as well as petrochemical plants and areas where an explosion-protected device is required. It is a heavy-duty explosion protected motorised siren, with a cast iron totally enclosed motor, which is certified independently.

BANSHEE EX 3LF SIREN S1

SPECIFICATIONS	
VOLTAGE	380VAC
DUTY CYCLE	Continuous (Thermal cut-out protected)
SOUND OUTPUT	125dB(A) at 1m
SOUND FREQUENCY	660Hz
APP. RANGE	3000m in still air on open field
CURRENT CONSUMPTION*	1.6A
CLASSIFICATION	Ex d I/IIB T4
CERTIFICATION	MS-XPL/12.1304
GAS GROUPS	I, IIA, IIB
IGNITION GROUP	T4 - 135°C
IP RATING	IP65
WEIGHT	24kg
PACKING DIMENSIONS	400x380x300mm

*Startup current x8 of nominal current



All dimensions are in mm