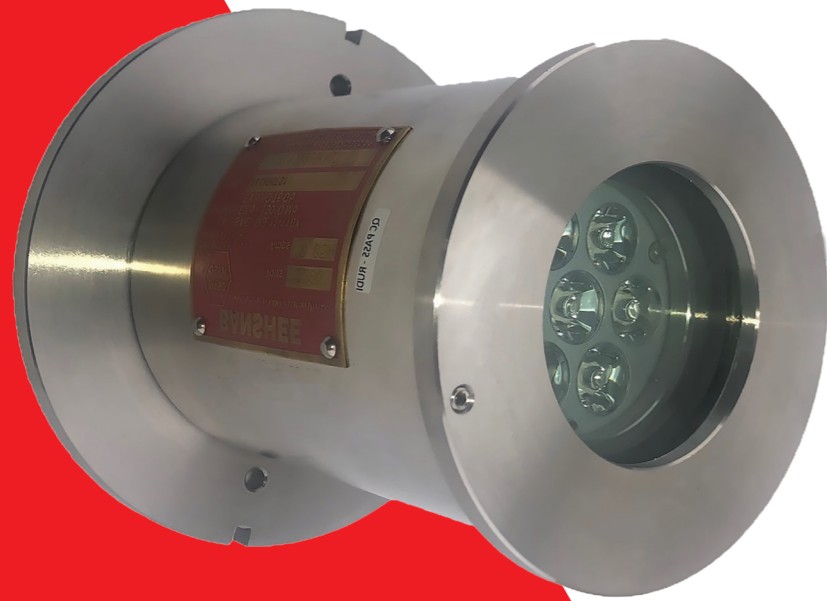


BANSHEE

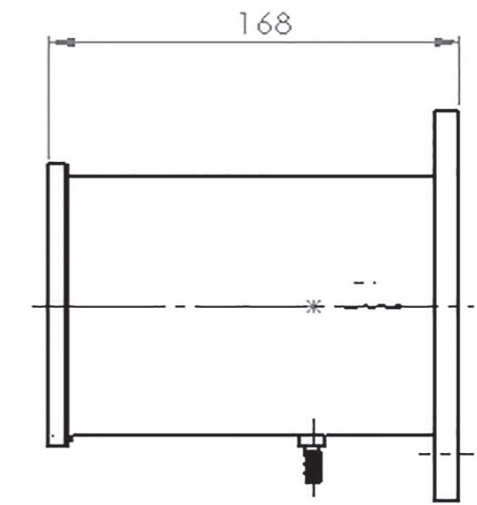
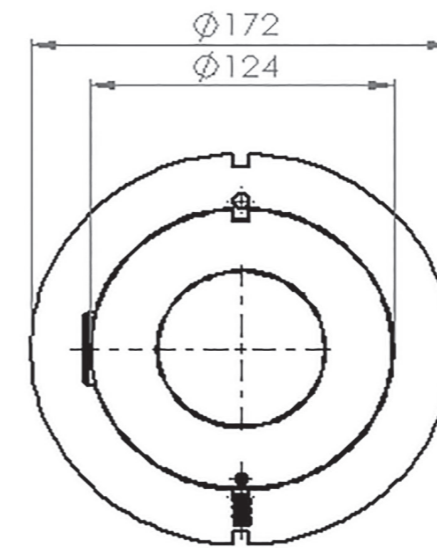
Ex Cover Light S1



The EX Cover Light is suitable for use in fiery mines, petro chemical plants, underground coal mining machinery and areas where an explosion protected devices is required. The unit boasts 7 super-bright LED's that emit 49 Lux at 5m. Long life Led technology allows for longevity and low power consumption. Available with different colour lenses.

BANSHEE EX COVER LIGHT S1

SPECIFICATIONS	
VOLTAGE	220V AC
COLOUR	Clear
LIGHT SOURCE	220VAC - 7 x Super Bright LED's (7W)
LIGHT INTENSITY	49 Lux @ 5m
CURRENT CONSUMPTION	28mA
CLASSIFICATION	Ex d I 150°C / Ex d IIC T6 Gb / Ex ta IIIC T85°C IP65 Da
CERTIFICATION	SAEX MS/11-110X : MASC MS/18-2539X
GAS GROUPS	I, IIC, IIIC
IGNITION GROUP	T6 - 85 °C
IP RATING	IP65
WEIGHT	6kg
PACKING DIMENSIONS	270x200x230mm



All dimensions are in mm

BANSHEE Part of the KAMA Group - www.kama.co.za