

# BANSHEE

## Ex Duplo Siren & Beacon LED S1



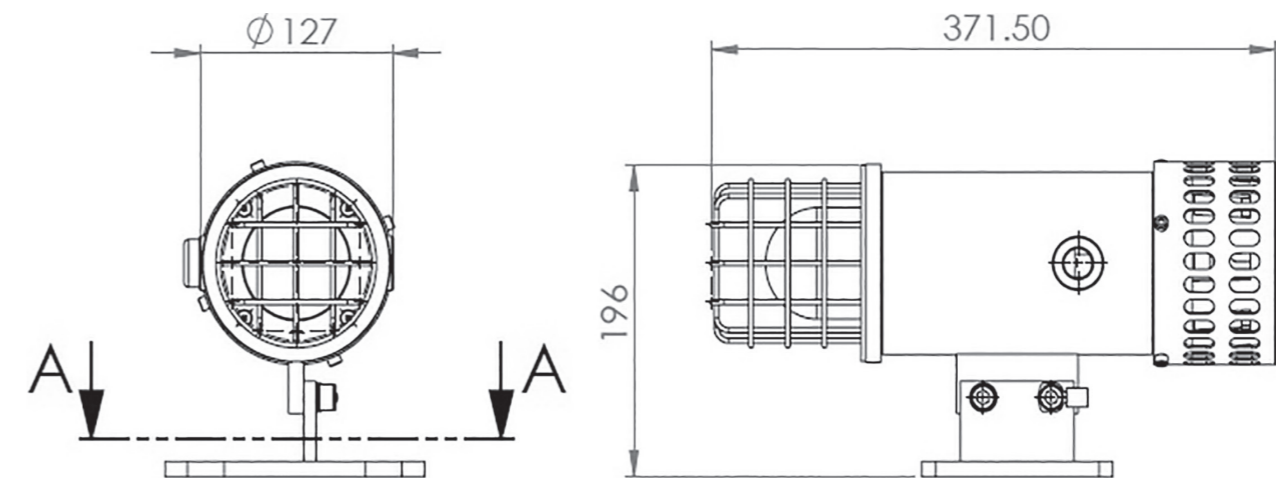
This Duplo siren and LED beacon combination unit is suitable for use in fiery mines as well as petro chemical plants and areas where an explosion protected device is required. The unit consists of 304 Type Stainless Steel housing with M20 cable entries, a stainless steel nose cone and a unique screw on lid for cable connection.

### BANSHEE EX DUPLO SIREN & BEACON LED COMBO S1

#### SPECIFICATIONS

VOLTAGE	110VAC   220VAC
DUTY CYCLE	Continuous
SOUND OUTPUT	123dB(A) at 1m
SOUND FREQUENCY	950 - 1200Hz
APP. RANGE	1000m in still air on open field
COLOUR	Amber, Red, Blue, Green
LIGHT SOURCE	40 LEDs
LIGHT INTENSITY	70 Lux Rotating   100 Lux Flashing   70 Lux Static
CURRENT CONSUMPTION*	110Vac-2A   220Vac-1A
CLASSIFICATION	Ex db IIC T6 Gb   Ex tb IIIC T85°C Db IP65
CERTIFICATION	MASC S/22-2110X
GAS GROUPS	IIA, IIB, IIC, IIIA, IIIB, IIIC
IGNITION GROUP	T6 - 85°C
IP RATING	IP65
WEIGHT	11.3kg
PACKING DIMENSIONS	200x250x200mm

\*Startup current x8 of nominal current



All dimensions are in mm