

BANSHEE

Ex E-Stop/Start Station S3



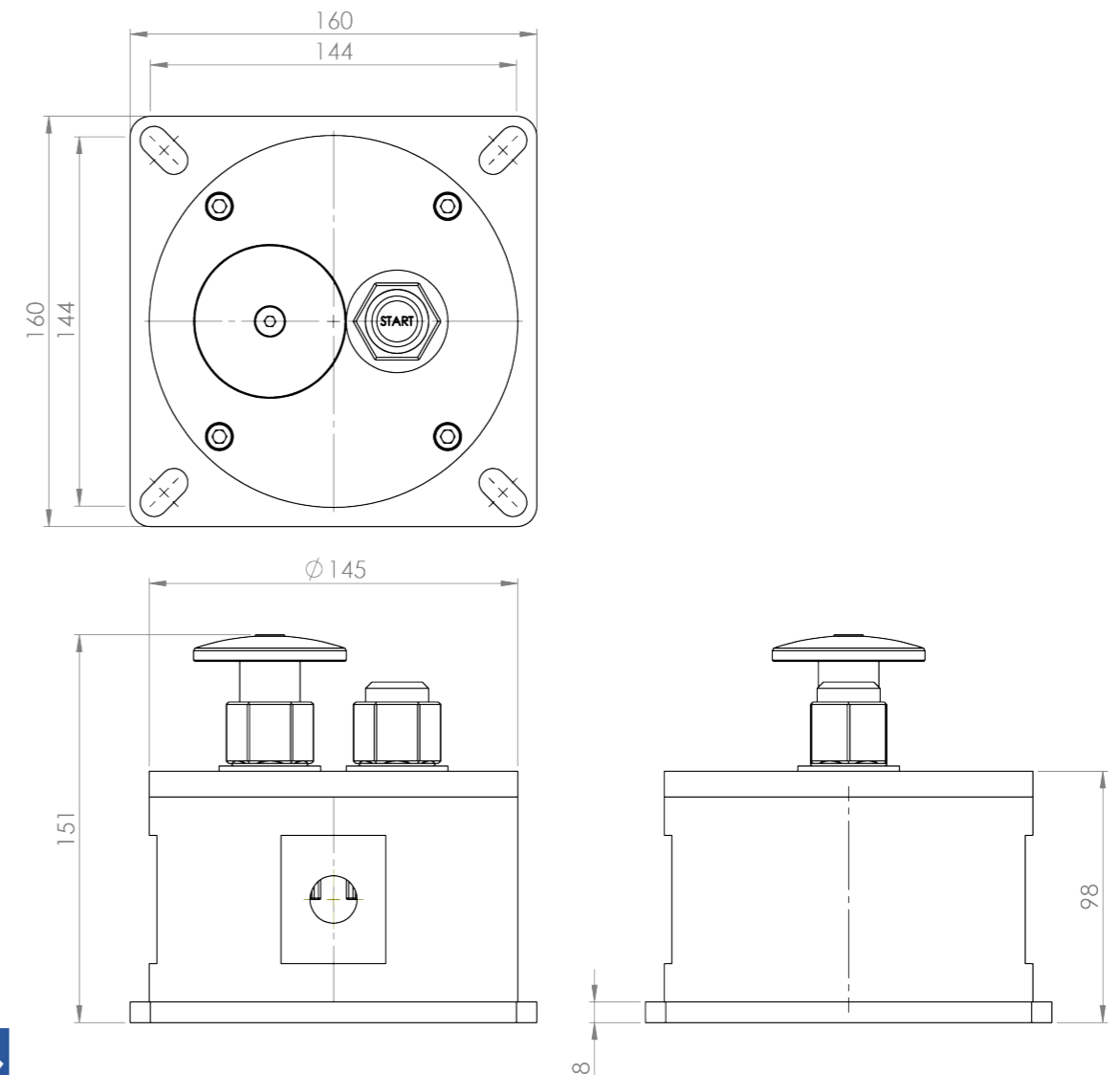
PRODUCT CODE
BXES700

The Banshee Ex E-Stop/Start Station S3 serves as a safety control mechanism for use in underground mining operations by allowing operators to instantaneously stop or start equipment operations. The unit consists of a flameproof enclosure which houses two operators, namely an emergency stop (e-stop) button (which allows for immediate shutdowns during emergencies) and a start button (which enables controlled equipment activation).

BANSHEE EX E-START STOP/STATION

SPECIFICATIONS

| | |
|----------------------|--|
| RATED VOLTAGE | 600V |
| DUTY CYCLE | Latching Pull to return Spring loaded |
| CURRENT CONSUMPTION* | 10A |
| CLASSIFICATION | Ex db I Mb |
| CERTIFICATION | IECEX ICS 22.0020X IECEX ICS 22.0023U MASC M/23-9006X MASC M/23-9009U |
| GAS GROUPS | I |
| IGNITION GROUP | 150°C |
| ZONE CLASS | Zone 1 & 2 |
| IP RATING | IP54 |
| WEIGHT | 5kg |
| PACKING DIMENSIONS | 210x150x150mm |



All dimensions are in mm

BANSHEE Part of the KAMA Group - www.kama.co.za