

# BANSHEE

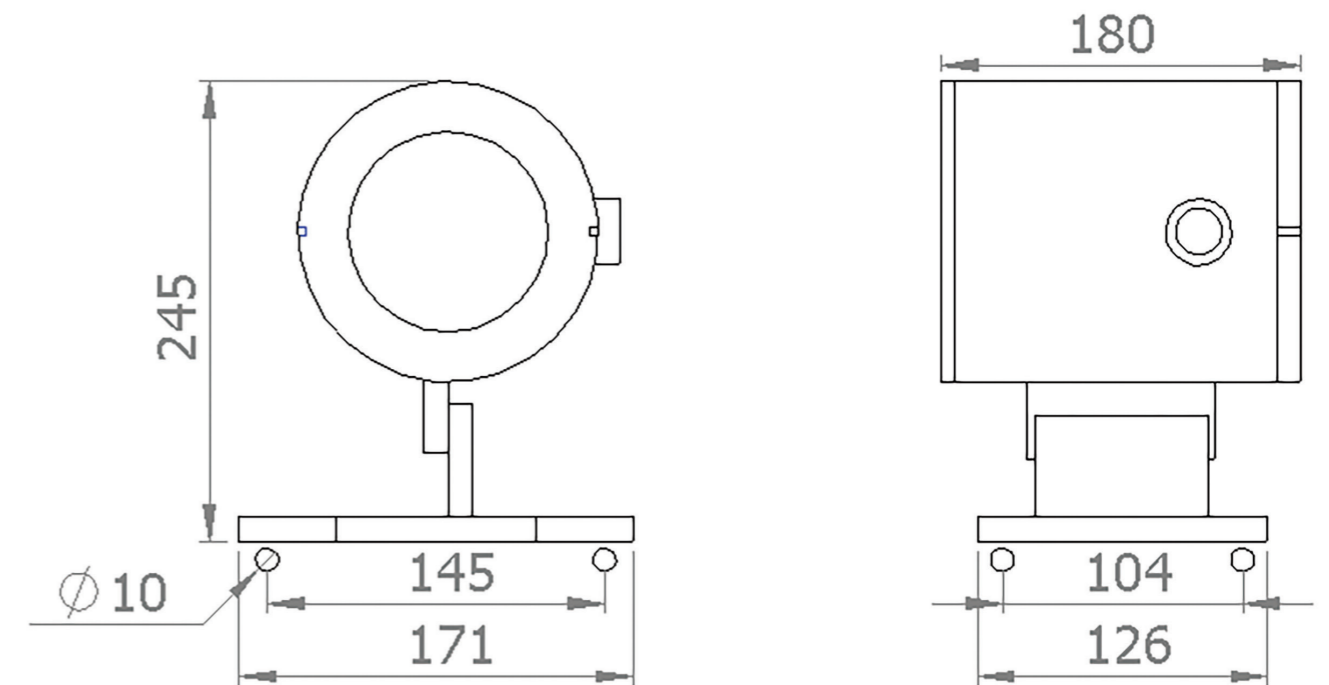
## Ex Flood Light S1



The Ex Floodlight is suitable for use in fiery mines, petro chemical plants, underground coal mining machinery and areas where an explosion-protected device is required. The unit consists of a stainless steel body with a M20 cable entry, a stainless steel protective cage and a unique screw on flange for cable connection. The unit boasts 12 super-bright LED's that emit 190 lux at 5m. Long life LED technology allows for longevity and low power consumption.

### BANSHEE EX FLOOD LIGHT S1

| SPECIFICATIONS      |  |
|---------------------|--|
| VOLTAGE             | 12VDC   220VAC   |
| COLOUR              | Amber, Red, Blue, Green, Clear                           |
| LIGHT SOURCE        | 12 Super Bright LED'S                                    |
| LIGHT INTENSITY     | 12VDC - 125 LUX AT 5m   220VAC - 190LUX at 5m            |
| CURRENT CONSUMPTION | 0.2A   |
| CLASSIFICATION      | Ex db I Mb   Ex db IIC T4 Gb   Ex ta IIIC T110°C Da IP65 |
| CERTIFICATION       | MASC MS/21-2773X   |
| GAS GROUPS          | I, IIA, IIB, IIC, IIIA, IIIB, IIIC                       |
| IGNITION GROUP      | T4 - 135°C   |
| IP RATING           | IP65   |
| WEIGHT              | 11kg   |
| PACKING DIMENSIONS  | 270x200x230mm  |



All dimensions are in mm

**BANSHEE** Part of the KAMA Group - [www.kama.co.za](http://www.kama.co.za)