

BANSHEE

Ex Start/Start Station S3



PRODUCT CODE
BXES900

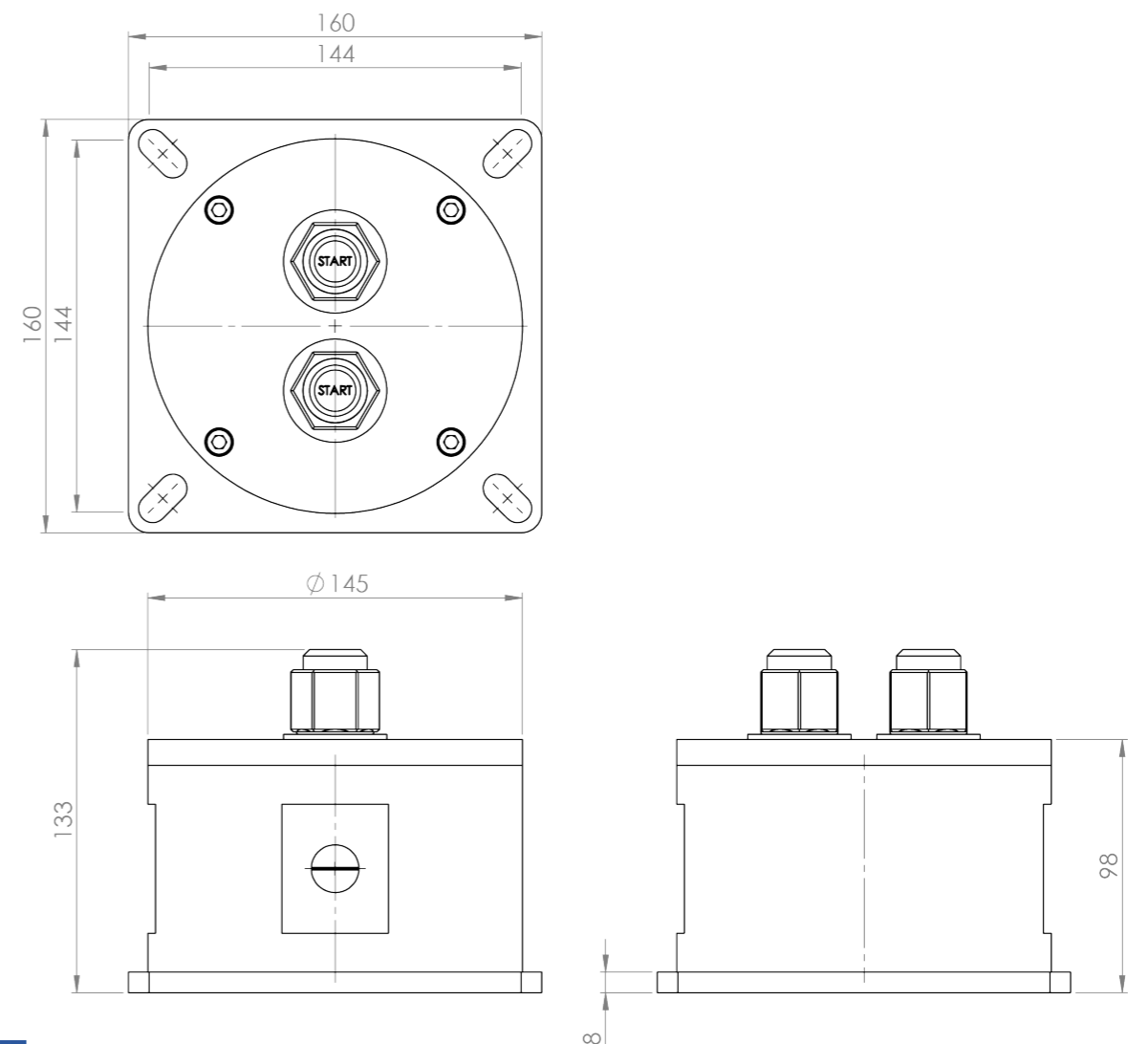
NOTE: Ex StopStop Station available on request.

The Banshee E-Stop Stop-Start Station serves as a multi-functional operator station for use in underground mining operations that require an E-stop for Isolating a circuit and a start operator to power a system circuit

BANSHEE EX START/START STATION S3

SPECIFICATIONS

RATED VOLTAGE	600Vac/dc
DUTY CYCLE	Spring return
CURRENT CONSUMPTION*	10A
CLASSIFICATION	Ex db I Mb
CERTIFICATION	IECEX ICS 22.0020X IECEX ICS 22.0023U MASC M/23-9006X MASC M/23-9009U
GAS GROUPS	I
IGNITION GROUP	150°C
ZONE CLASS	Zone 1 & 2
IP RATING	IP54
WEIGHT	8.5kg
PACKING DIMENSIONS	230x170x240mm



All dimensions are in mm

BANSHEE Part of the KAMA Group - www.kama.co.za