

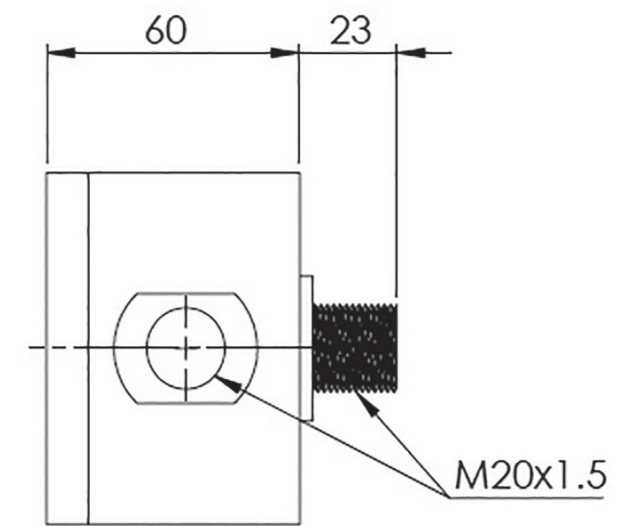
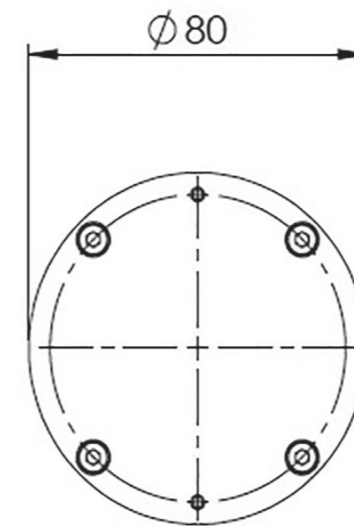
BANSHEE

Ex Terminal Box S1



BANSHEE EX TERMINAL BOX S1

SPECIFICATIONS	
CLASSIFICATION	Ex d I 150°C Mb Ex d IIC T4 Gb
CERTIFICATION	SAEX MS/11-349
GAS GROUPS	I, IIA, IIB, IIC
IGNITION GROUP	T6 - 85°C
IP RATING	IP65
WEIGHT	1.7kg
PACKING DIMENSIONS	121x117x130mm



The EX Terminal box can be used in most ex environments for flameproof wiring terminations. The unit is made of 304 type stainless steel. The unit screws into M20 cable entry.

All dimensions are in mm

BANSHEE Part of the KAMA Group - www.kama.co.za