

# Sirenco 2D

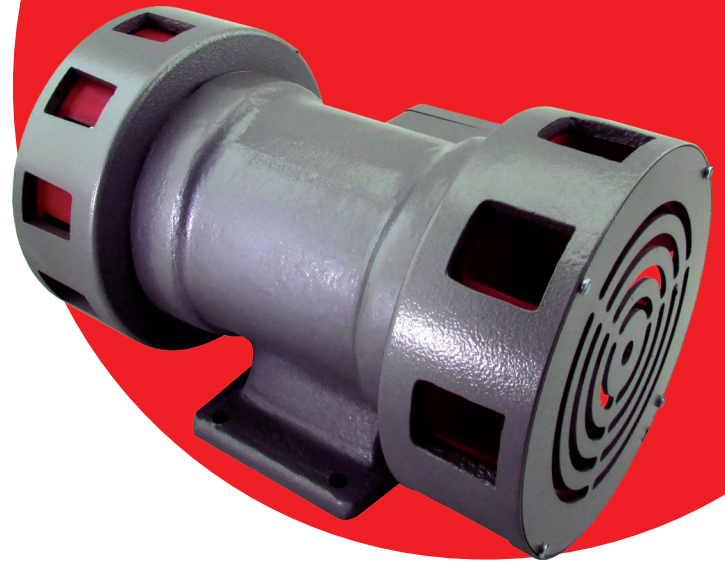
LONG RANGE SIREN **CE**  

An outdoor weatherproof industrial siren made with a durable aluminium body and powerful continuous rated electric motor. The low frequency sound output ensures a sound distance of up to 126dB(A) at 1m.

A reliable siren with a 5-year guarantee\*

### Typical applications:

Emergency and warning notification device at open cast mines, quarries, larger factories, and open areas. Suitable for use as an emergency and warning notification device at indoor noisy environments.



## SPECIFICATIONS

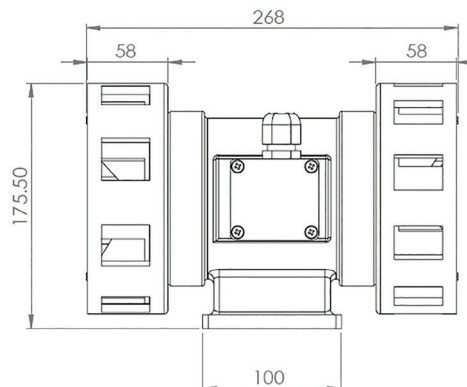
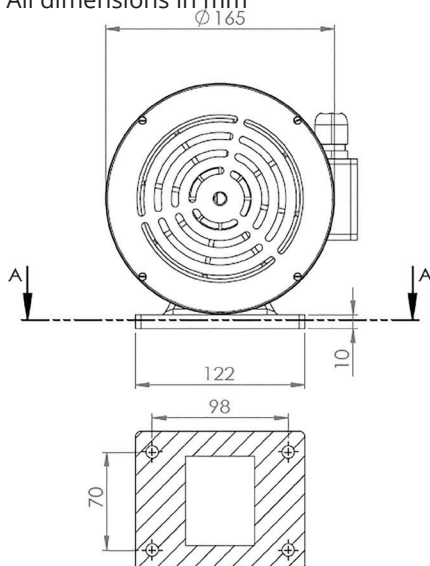
VOLTAGE	110VAC/DC   220VAC/DC
DUTY CYCLE	Continuous Rated
SOUND OUTPUT	126dB(A) at 1m
SOUND FREQUENCY	370Hz / 660Hz
APP. RANGE	2 000m in ideal condition (Please refer to dB chart)
MOTOR	215W @ 6500rpm
CURRENT CONSUMPTION	110V - 2.2A   220V - 1.8A
IP RATING	IP 65
WEIGHT	8.2kg
PACKING DIMENSIONS	240mm x 183mm x 183 mm
NOTES	

## PRODUCT CODES

<b>Code</b>	SM20110	SM20220							
<b>Detail</b>	110V	220V							

## TECHNICAL DRAWINGS

All dimensions in mm



## OPTIONAL EXTRAS

School & Factory Timer

