



This siren has a UV stabilised ABS body and BKV Glass filled Nylon impellor, it is the 3rd generation 500m siren since the original Sirengo 500 was introduced in 1980. The low frequency sound has excellent travel characteristics and thus ideal to cover longer distances in noisy environments. Mounting and connection is easy as the unit comes with a M20 gland for safe cable connection and a mounting bracket with slotted holes.

A reliable siren with a 5 year guarantee\*

**Typical applications:**

Signalling or alarm applications indoor or outdoor, time clock systems, per-start up warning in automated plants or conveyor belts, fire/evacuation alarm for buildings and as a school bell.

SHORT RANGE SIREN   

# Sirengo 500SA

## SPECIFICATIONS

VOLTAGE	12VAC/DC   24VAC/DC   110VAC/DC   220VAC/DC
DUTY CYCLE	12V/24V:5min on - 15min off   110V/220V: Continuous
SOUND OUTPUT	107dB(A) @ 1m
SOUND FREQUENCY	1250 Hz
APP. RANGE	500m in ideal condition (Please refer to dB chart)
MOTOR	200W @ 9000 rpm
CURRENT CONSUMPTION	12V - 10.6A   24V - 7.5A   110V - 1.0A   220V - 0.7A
IP RATING	IP 45
WEIGHT	1.2kg
PACKING DIMENSIONS	190mm x 150mm x 150mm

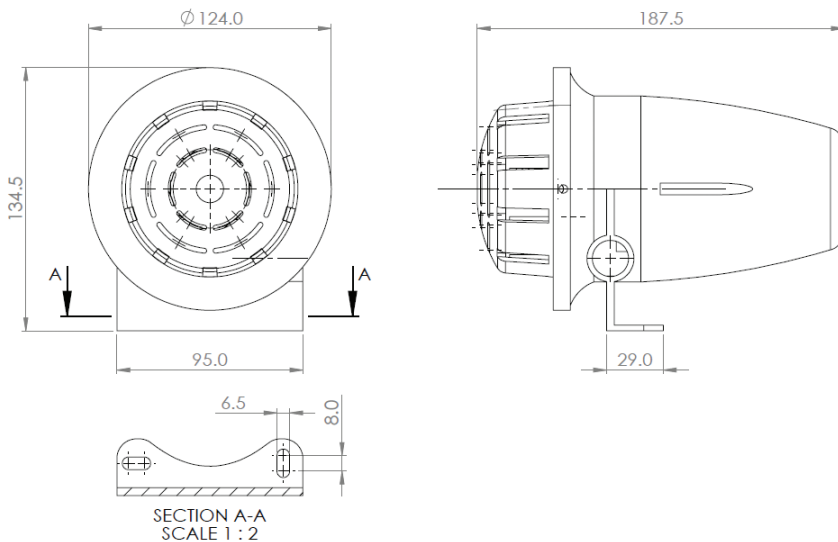
NOTES |

## PRODUCT CODES

<b>Code</b>	SA05012	SA05024	SA05110	SA05220						
<b>Detail</b>	12Vac/dc	24Vac/dc	110Vac/dc	220Vac/dc						

## TECHNICAL DRAWINGS

All dimensions in mm



## OPTIONAL EXTRAS

School & Factory Timer

