



Compact electronic sounder in a UV Stabilized blend of ABS & PC body with different selectable and adjustable sounds. The super low power consumption of below 50mA makes the unit ideal for all alarm or signalling applications and can easily be connected to a battery system. Suitable for indoor and outdoor use.

Comes with a 5-year guarantee*

Typical applications:

Fire alarms, compatible to most fire panels, alarms on control panels, a reverse alarm on a car/truck, alarms on automated/ processing plants, on cranes and in the food industry.

ELECTRONIC SOUNDEES, BELLS, HORNS & HOOTERS

Sirengo Multitone



SPECIFICATIONS

VOLTAGE	9 - 30Vdc 70-260Vac
DUTY CYCLE	Continuous Rated
SOUND OUTPUT	114dB at 1m / 32 Selectable Tones / 3 Stages
SOUND FREQUENCY	420 - 2900Hz
APPROXIMATE RANGE	600m in ideal condition (Please refer to dB chart)
OPERATION	Electronic
CURRENT CONSUMPTION	Amps vary 3-39mA depending on the sound selection
IP RATING	IP 65
WEIGHT	220g
PACKING DIMENSIONS	120mm x 120mm x 130mm

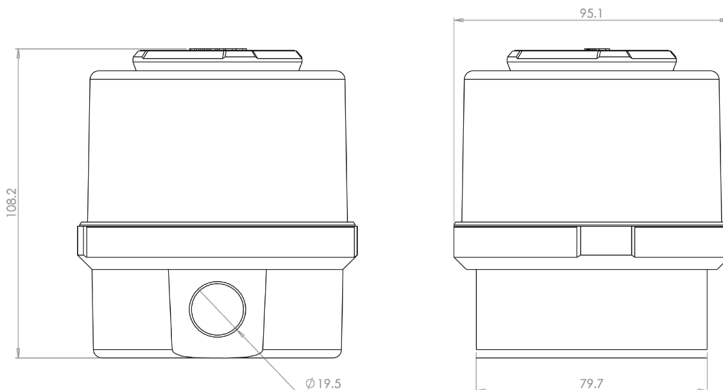
NOTES | Available in a combo unit

PRODUCT CODES

Code	SEMT930	SEMT122				
Detail	9-30Vdc	70-260Vac				

TECHNICAL DRAWINGS

All dimensions in mm



OPTIONAL EXTRAS

Available in a combo unit

